

Read the operation instruction carefully before installation .

**Automatic Transfer Switch
Instruction Manual**
(without controller)

Suggest send the instruction to final user
No.ZXS1SLCN19052108

1. General

Automatic transfer switch is one of adopted international ATSE technology developed by our company. It is suitable for power supply system with rated working voltage is AC400V, and AC 50Hz/60Hz.

Automatic transfer switch is main used for high building,hospital,hotel and communication, coal mining,shipping,military facilities industrial assembly line etc the situation of need the continuous power supply.

Normally the power could be utility,auto start genset,storage battery and so on.

Notice:

1. L type is two positions. When switch get the switching signal,it will not stop at Off position,it will transfer to the other power source directly.
2. S type is three positions. When switch get the switching signal,it can transfer to the other power source directly,also can transfer to Off position.
3. Switch is PC Class.
4. Connect type is front panel connection.

2. Working conditions

2.1 Ambient air temperature:

Ambient air temperature of -5 °C to +40 °C, and at 24-hour average temperature does not exceed +35 °C. If ambient air temperature above +40 °C or below -5 °C,users should consult with manufacturer.

2.2 Atmospheric humidity:

The maximum temperature of +40 °C,the air relative humidity do not more than 50%. At a lower temperature can be allowed to have a higher relative humidity. Special measures should be taken for occasional condensation due to temperature changes.

2.3 Installation Altitude:

The altitude of installation locations do not above 2,000 meters. For higher altitudes, please consult the manufacturer to take into account the reduced dielectric strength and cooling effect of the air.

2.4 Pollution levels: Installation on grade III

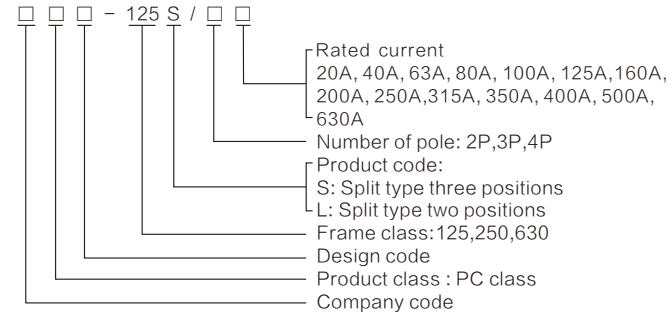
2.5 Installation category: Installation category IV type

2.6 Installed tilt: Products in the cabinet fixed installation, the maximum inclination is ± 22.5° .

2.7 Flashover distance: AC400V electric flashover distance is 30mm.

2.8 Use category: AC-33iB.

3. Products model and meaning

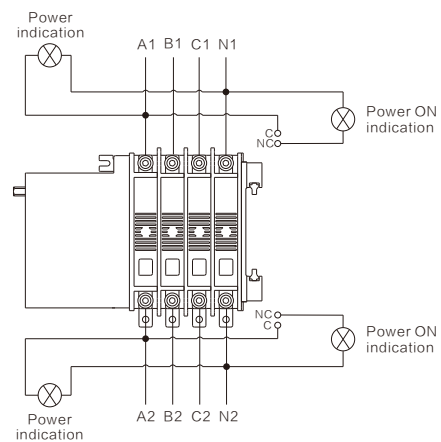


4. Technical parameter

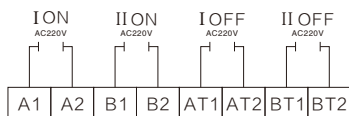
Model	S type, L type		
Insulation voltage	AC690V		
Rated voltage	AC400V		
Rated current	20A ~ 125A	160A ~ 250A	315A ~ 630A
The rated impulse withstand voltage	8KV		
Vote number	Double vote		
Wiring manner	Before the board		
Characteristic	Short time withstand current	10kA	
	Connect sub-capacity	17kA	
	Service life	1000/5000times	1000/4000times
	Operating cycle	60times/hour	
Using class	AC-33iB		
Auxiliary switch	A、B side power both with 2 normally open and 2 normally closed; switch capacity 15A/AC250V		
Accessory	Manual handle		

5. Connection diagram

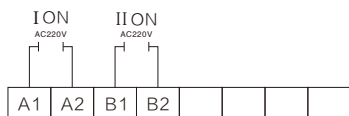
- Connection diagram of power indication and power ON indication.



- Three positions S type terminal function connection diagram.



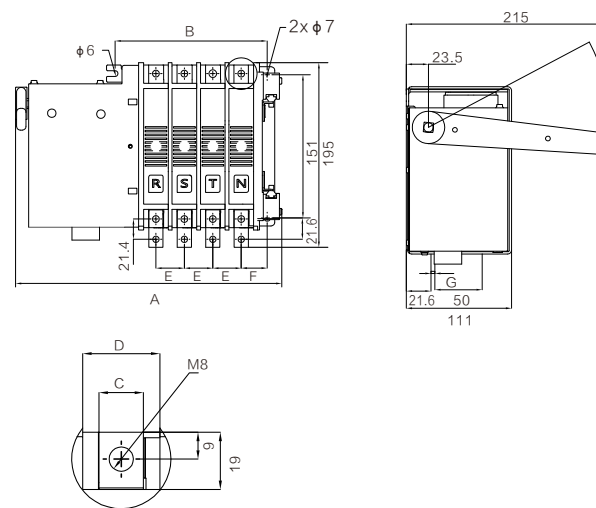
- Two positions L type terminal function connection diagram.



03

6. Appearance and installation dimensions

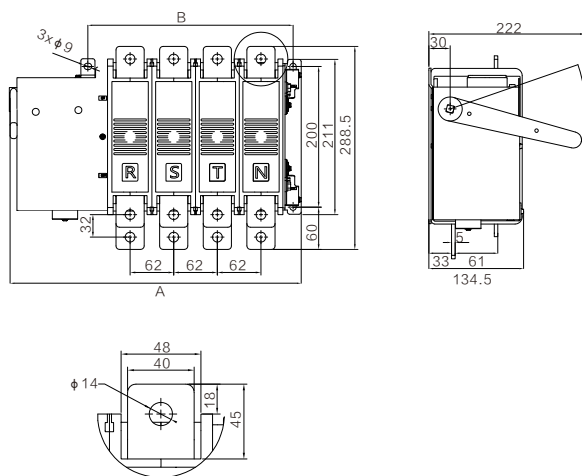
The safe distance dimensions of panel: 30mm(AC400V)



Model	Dimension		A	B	C	D	E	F	G
	Pole								
125S 125L	2P		223	100	15	26	30	27.5	4
	3P		253	130					
	4P		283	160					
250S 250L	2P		231	111	20	31	35	30	4
	3P		266	146					
	4P		301	181					

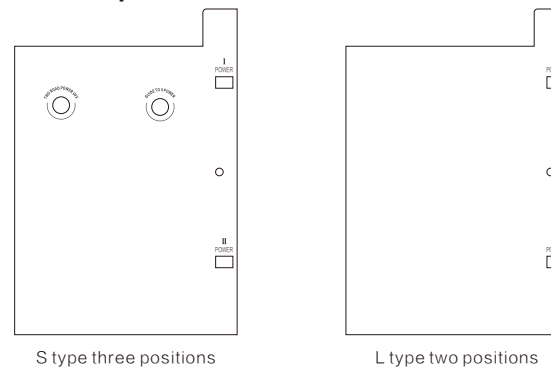
04

The safe distance dimensions of panel: 30mm(AC400V)



Model	Dimension		A	B
	Pole			
630S 630L	2P		295	168
	3P		357	230
	4P		419	292

7. Manual operation and matters need attention



The manner of I power input: Screwdriver press the "TWO ROAD POWER OFF", so I power and II power are both in the OFF position (L type no need this operation). With a wrench to manually rotate the direction of the arrow shaft so that I power will place in ON position.

The manner of II power input: Screwdriver press the "TWO ROAD POWER OFF", so I power and II power are both in the OFF position (L type no need this operation). Then press the "GUIDE TO II POWER" and hold, while manually rotate the direction of the arrow shaft so that II power will place in ON position.

The manner of artificial escape:(Only fit for S type, L type can only transfer and can't release) Remove manual operating handle, screwdriver insert the hole of "TWO ROAD POWER OFF" and press inward to escape.

Note :

1. Manual is forbidden when switch with load conditions, manual operation is allowed when the controller must be in manual or power-off state.
2. The handle must be removed after operation.

8. Maintenance and storage

Check and maintenance must be conducted by the professional personnel, inspection and maintenance should be cut off when all the external electricity power. In order to maintain the performance of the switch and continue to keep the switch in good state, the first maintenance check must within one year after installation, and maintenance regularly at least once a year.